

35 West Randolph Street
Chicago, Illinois 60607
Phone 312/226-7778
FAX 312/226-5335

MANUFACTURERS OF TRIPP-LITE DOCK LITES

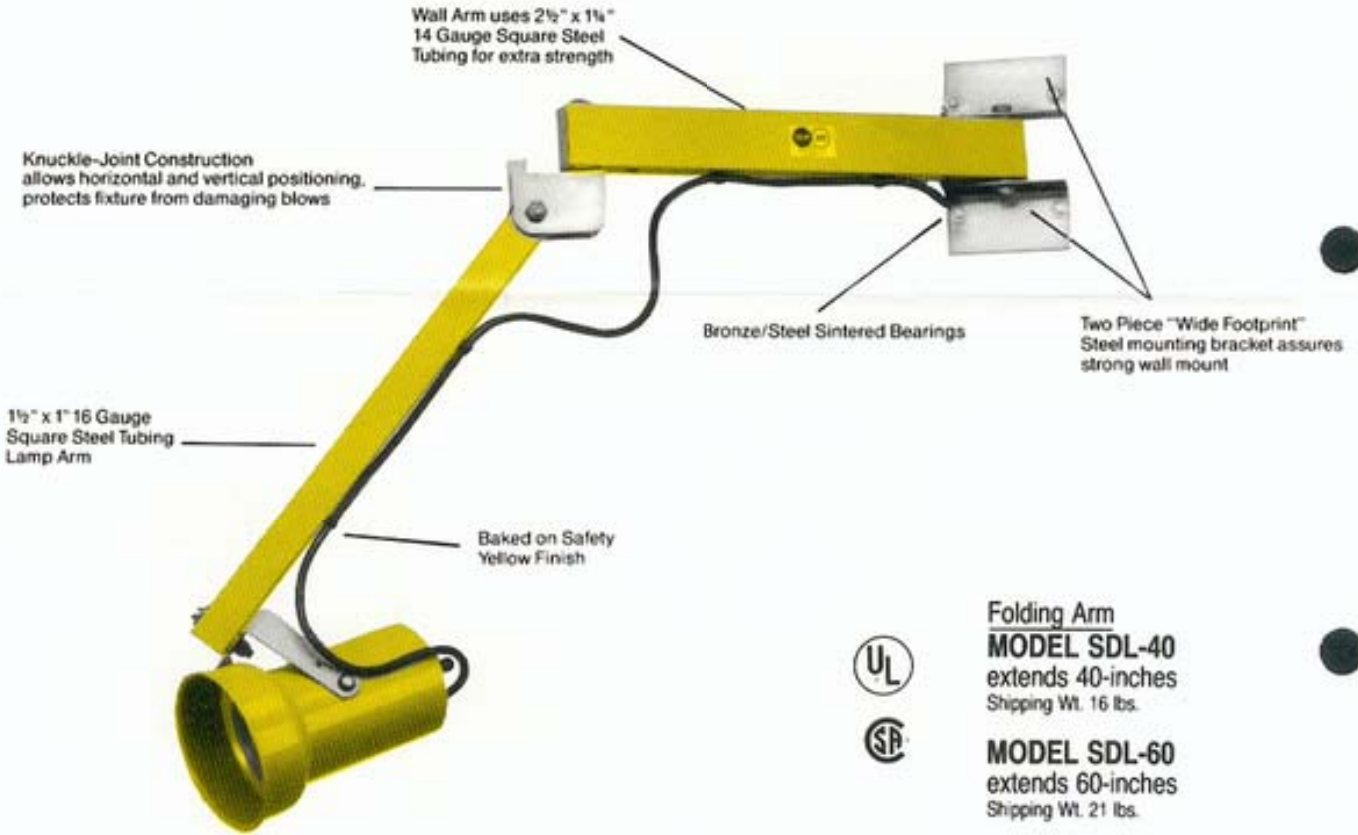
SINCE 1922 . . . THE SOLUTION TO YOUR SAFETY, WARNING AND LIGHTING NEEDS!

Achieve Increased Safety and Production!
Select the Dock Loading Lites
that give you excellence in their
design, construction and performance
but are easy on your budget.

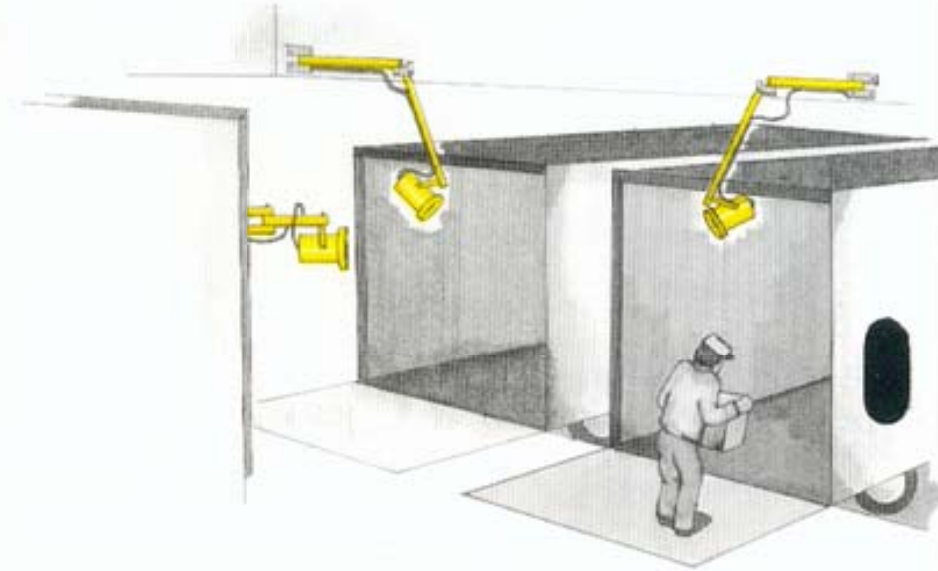
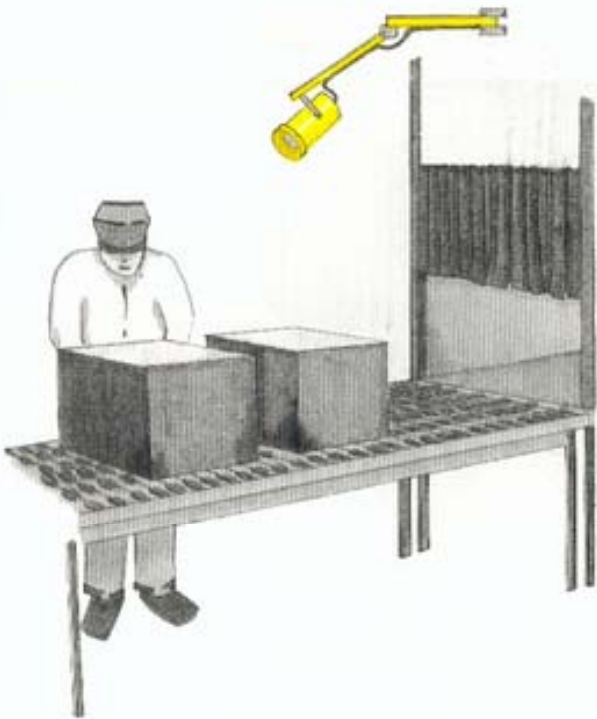


DOCK

FOLDING ARM - ADJUSTABLE

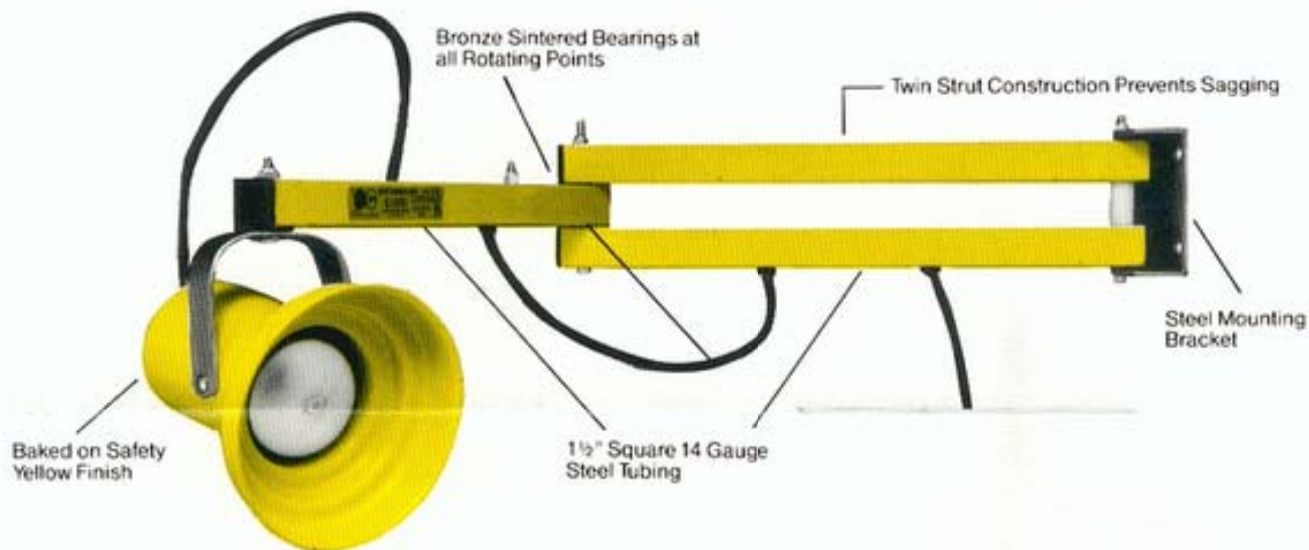


Whether you use the different styles individually or in combination, you can satisfy all your specific needs.



LOADING LITES

DOUBLE STRUT



- Double-strut design has inherent strength — maintains horizontal position
- Adjustable pivot friction maintains intended position
- High-strength bolts used throughout
- 1 1/2" square, heavy gauge steel arm resists damage from impact.

Single Arm-Double Strut

MODEL DL-24

arm length 24-inches

Shipping Wt. 16 lbs.

Double Arm-Double Strut

MODEL DL-40

extends 40-inches

Shipping Wt. 18 lbs.

MODEL DL-60

extends 60-inches

Shipping Wt. 23 lbs.

Triple Arm-Double Strut

MODEL DL-90

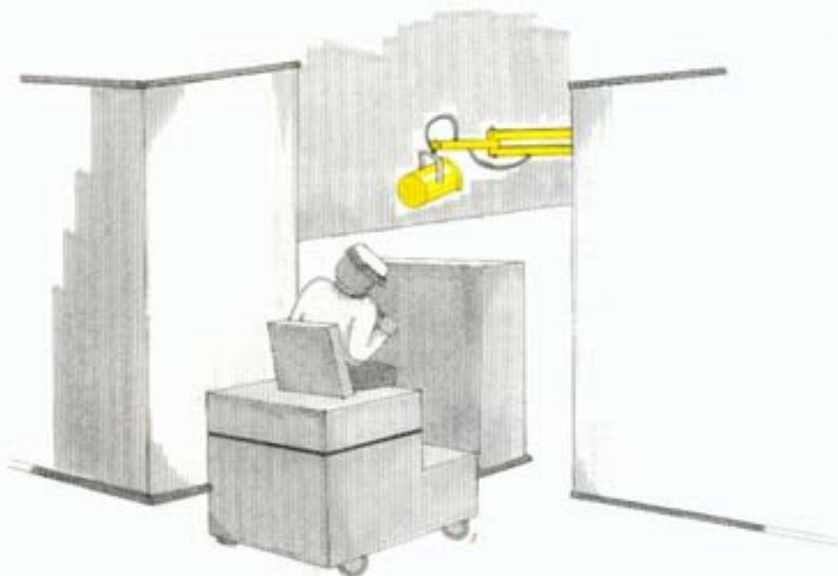
extends 90-inches

Shipping Wt. 35 lbs.

MODEL DL-114

extends 114-inches

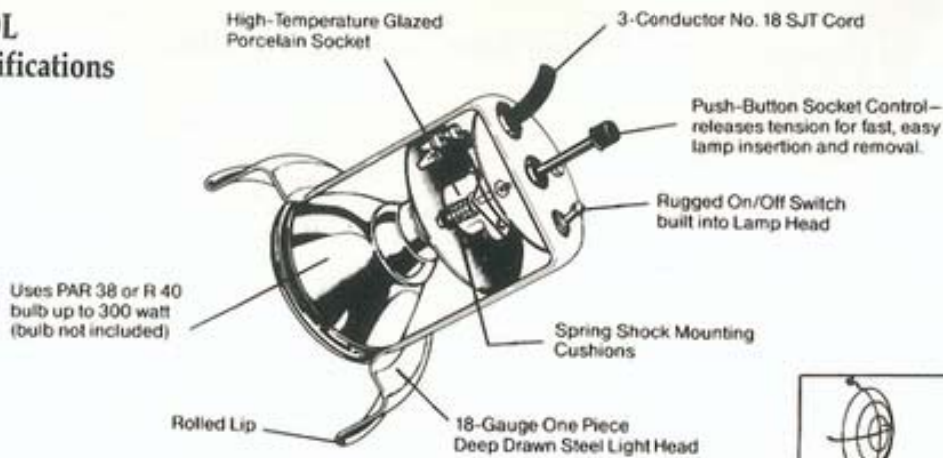
Shipping Wt. 43 lbs.




ARCHITECTURAL SPECIFICATIONS:

Loading lights shall provide double strut box member on primary support arms. Light head provides full lamp support and contains integral power switch to access R-40 or Par 38 type bulbs. Controlled pivot friction with bronze joint bushings. U/L 3-wire system. Specify Tripp-Lite Model DL-24 (24"), DL-40 (40"), DL-60 (60"), or DL-90 (90"), DL-114 (114") reach.

**SDL and DL
Lamp Specifications**



 **WIRE LAMP GUARD**
available... fits all our
Dock Loading Lites
No. SDL-WG



Tremendous Cost Savings!

**Dock Loading Lites Now Available
With High Pressure Sodium Lamps**

You Get 500w Power and 24,000 hours of Life,
but the Energy Expended is only 50w

Just Think...Same or More Illumination
but Fewer Dock Loading Lites!



Lamp Parts

42-3001
50w High Pressure
Sodium Bulb

16-3L16
Diffuser Glare Shield



MODEL DLHPS - Head Only
Available as replacement
head for non-HPS lights.

Folding Arm
MODEL SDLHPS-40
extends 40-inches
Shipping Wt. 19 lbs.

MODEL SDLHPS-60
extends 60-inches
Shipping Wt. 24 lbs.

Single Arm-Double Strut
MODEL DLHPS-24
arm length 24-inches
Shipping Wt. 19 lbs.

Double Arm-Double Strut
MODEL DLHPS-40
extends 40-inches
Shipping Wt. 21 lbs.

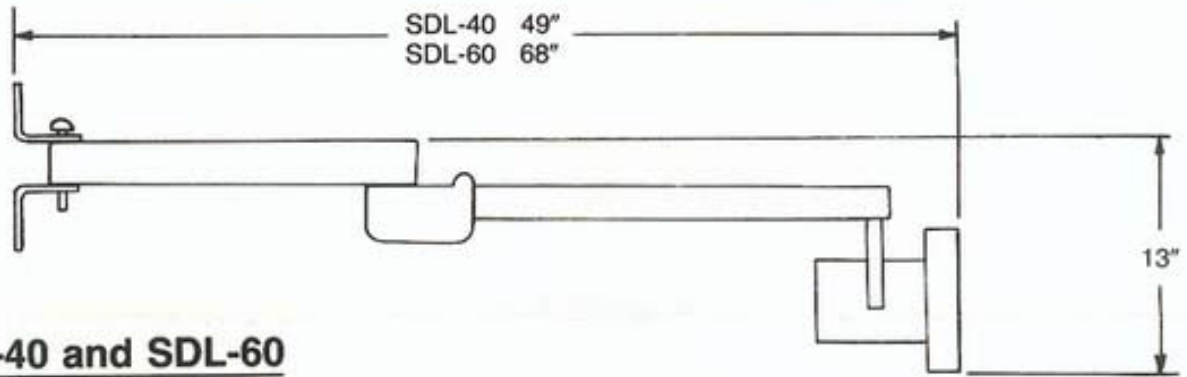
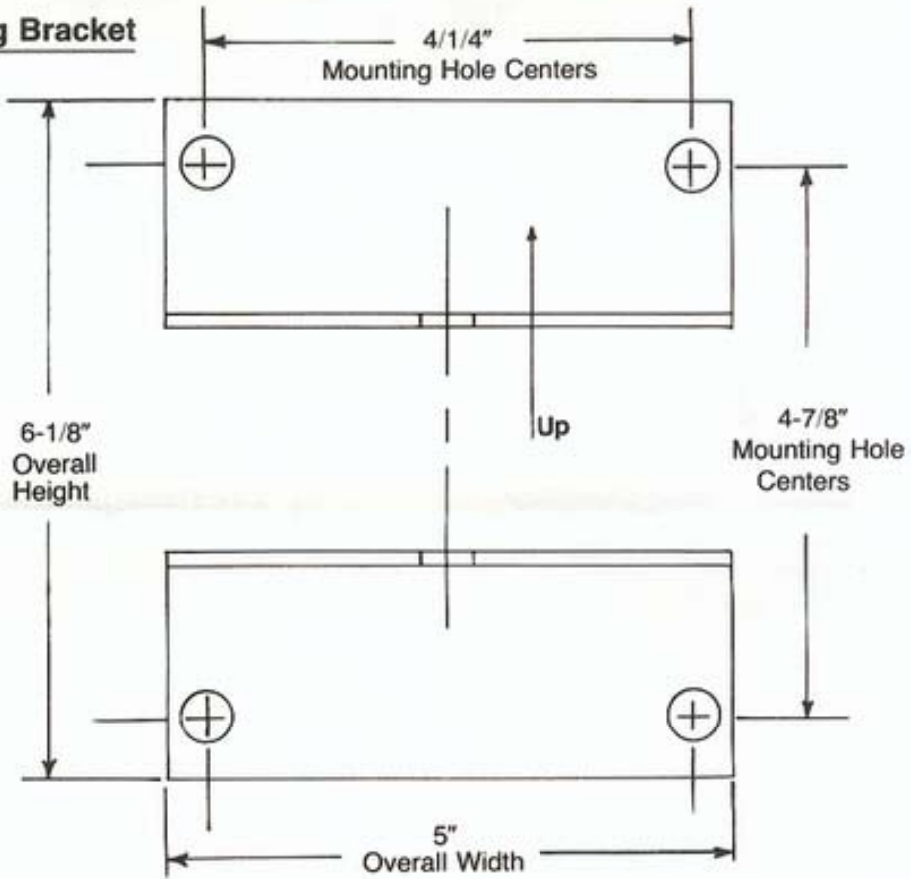
MODEL DLHPS-60
extends 60-inches
Shipping Wt. 26 lbs.

Triple Arm-Double Strut
MODEL DLHPS-90
extends 90-inches
Shipping Wt. 38 lbs.

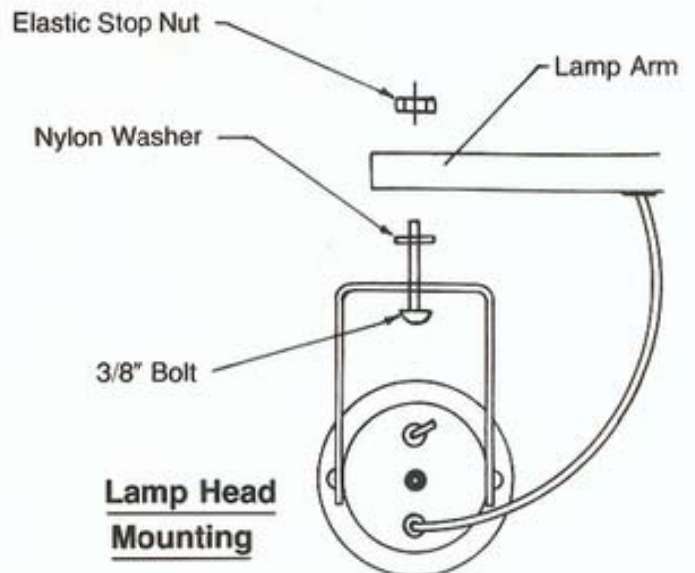
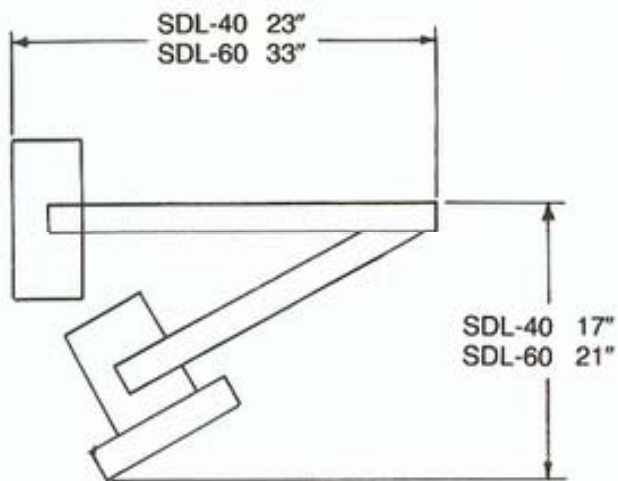


Specifications - Folding Arm Dock Loading Lites

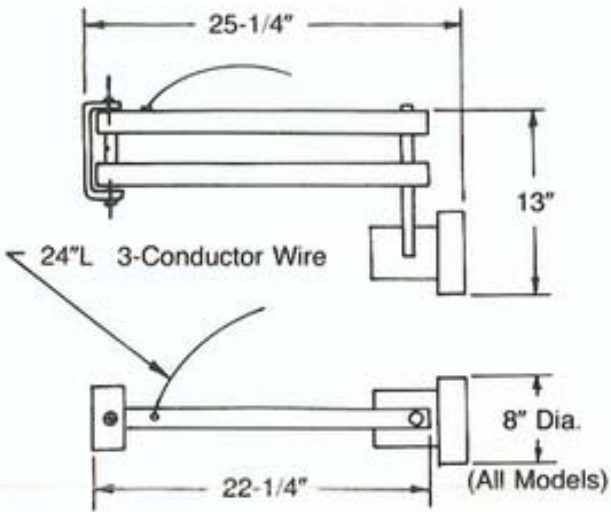
Mounting Bracket



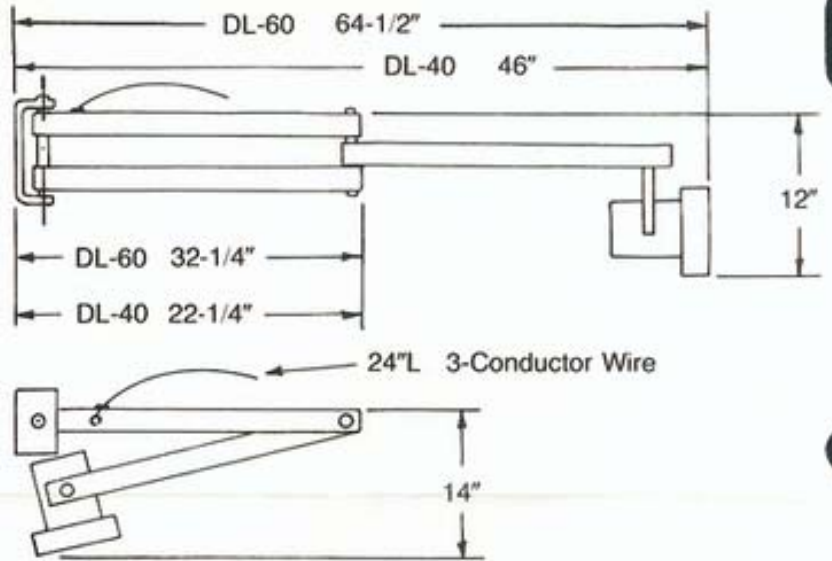
SDL-40 and SDL-60



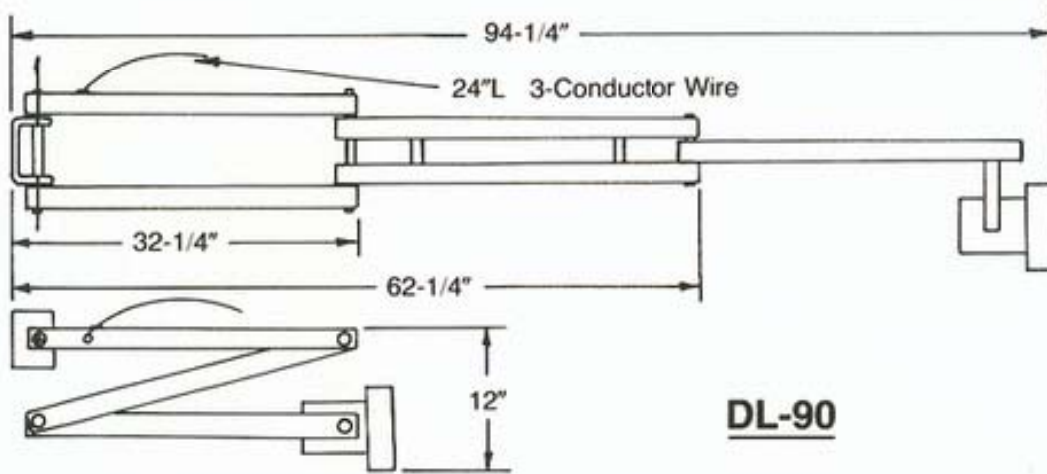
Specifications - Double Strut Dock Loading Lites



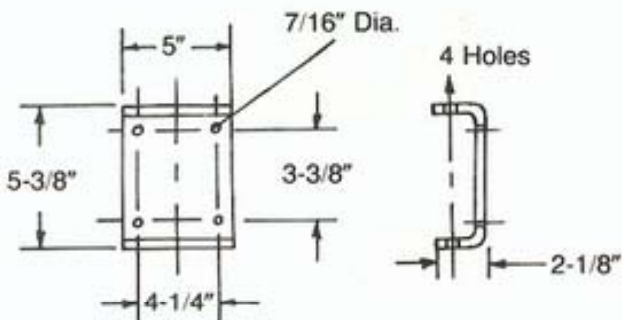
DL-24



DL-40 and DL-60



DL-90



Mounting Bracket



Distributed by